

CASAMBI CONTROLLED



CASAMBI CONTROLLED

Control unit on CASAMBI protocol, can be paired with a MOTORE.
 One 12V DC input channel, four 12V DC output channels.
 Dimensions: 64x103x30mm, magnetic stainless steel casing.
 Protected against overvoltage, overload, and short circuits.

installation
 usage
 dimmer
 outputs

free-standing
 indoor
 four-channel PWM, compatible with CASAMBI application
 4 12V DC (max 1.5 A per channel)

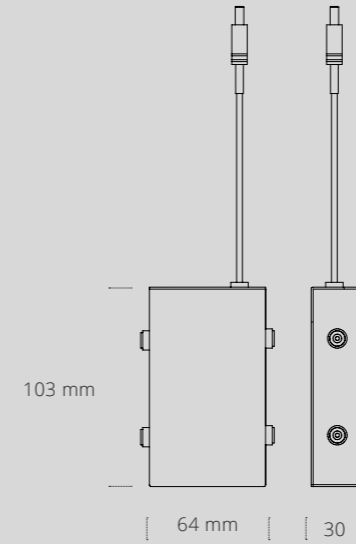


ST Inox
 Steel

- UNI EN 12464-1-2
- CEI EN 60598-1
- CEI EN 62031
- CEI EN 62471
- CEI EN 55015
- CEI EN 61547
- CEI EN 61000 -3-2
- CEI EN 61000-3-3
- CEI EN 50581-2012

EN 02/2024 ailis srl Updated technical contents.
 Subject to change without notice.

ailis lights up perfectly with **CASAMBI**



Libera free standing

CASAMBI CONTROLLED

ITEM		PROTECTION LEVEL	FINISH
CSB-4DIM-CV	Four-channel PWM dimmer controllable via Bluetooth, Casambi-enabled, for constant voltage LED modules. The unit can be connected to a 12/24V DC power supply or to MOTORE. It can control up to four channels. The maximum output current per channel cannot exceed 1.5 A. The unit is protected against overvoltage, overload, and short circuits.	IP 20	steel

