

# IHI 1 MOTORE



## IHI 1 MOTORE

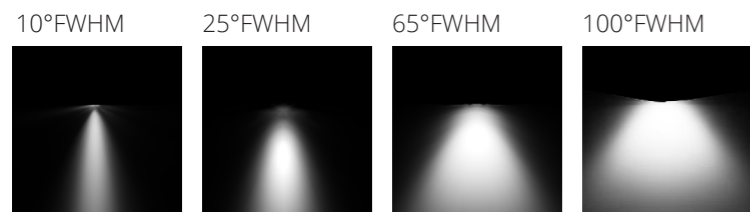
Portable and rechargeable lamp in brushed stainless steel with magnets and MOTORE.  
 Integrated touch dimming.  
 Precision optics.  
 Lamp body size: 100 x 100 x 14 mm.  
 MOTORE size: 64 x 103 x 30 mm.

installation	free-standing
use	indoor
power supply	12V DC
power	4.5W
light source	LED
color temperature	2700K   3000K
luminous flux	780lm   810lm
color rendering index (CRI)	> 90
unified glare rating (UGR)	< 19
dimming	touch
standard optics	10°, 25°, 65°, 100°
insulation class	III

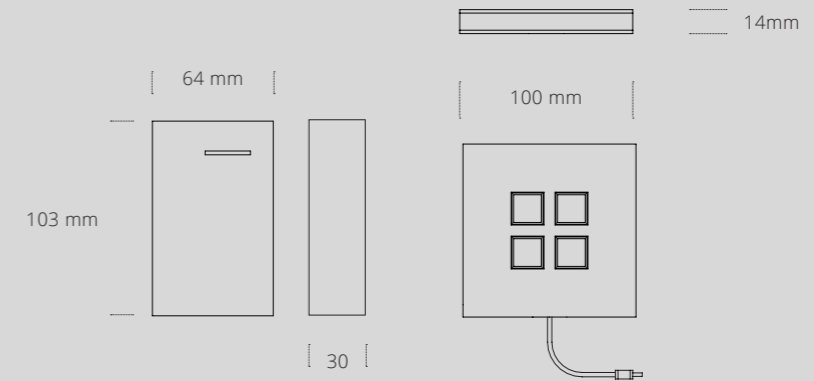


ST Inox  
Steel

UNI EN 12464-1-2  
 CEI EN 60598-1  
 CEI EN 62031  
 CEI EN 62471  
 CEI EN 55015  
 CEI EN 61547  
 CEI EN 61000-3-2  
 CEI EN 61000-3-3  
 CEI EN 50581-2012



EN 02/2024 ailis srl Updated technical contents.  
 Subject to change without notice.



Libera free standing

## IHI 1 MOTORE

ITEM	WATT	LUMEN	BEAM	DIMMING	PROTECTION LEVEL	FINISH
IHI1-MOT-2700K-_-INOX	4,5 W	780	10°   25°   65°   100°	YES	IP 30	Steel
IHI1-MOT-3000K-_-INOX	4,5 W	810	10°   25°   65°   100°	YES	IP 30	Steel

## CODICE D'ORDINE / ORDER CODE

IHI1-MOT-2700K-\_-ST

10° 25° 65° 100° apertura fascio / beam

## ESEMPIO / EXAMPLE

IHI1-MOT-2700K-65-ST

## MOTORE incluso

RECHARGEABLE BATTERY

33 Wh

Rechargeable charge accumulator and dispenser.  
 Powered by included charger.  
 Stainless steel casing.



PROTECTION LEVEL

IP 20

FINISH

steel

© design and engineering by ailis